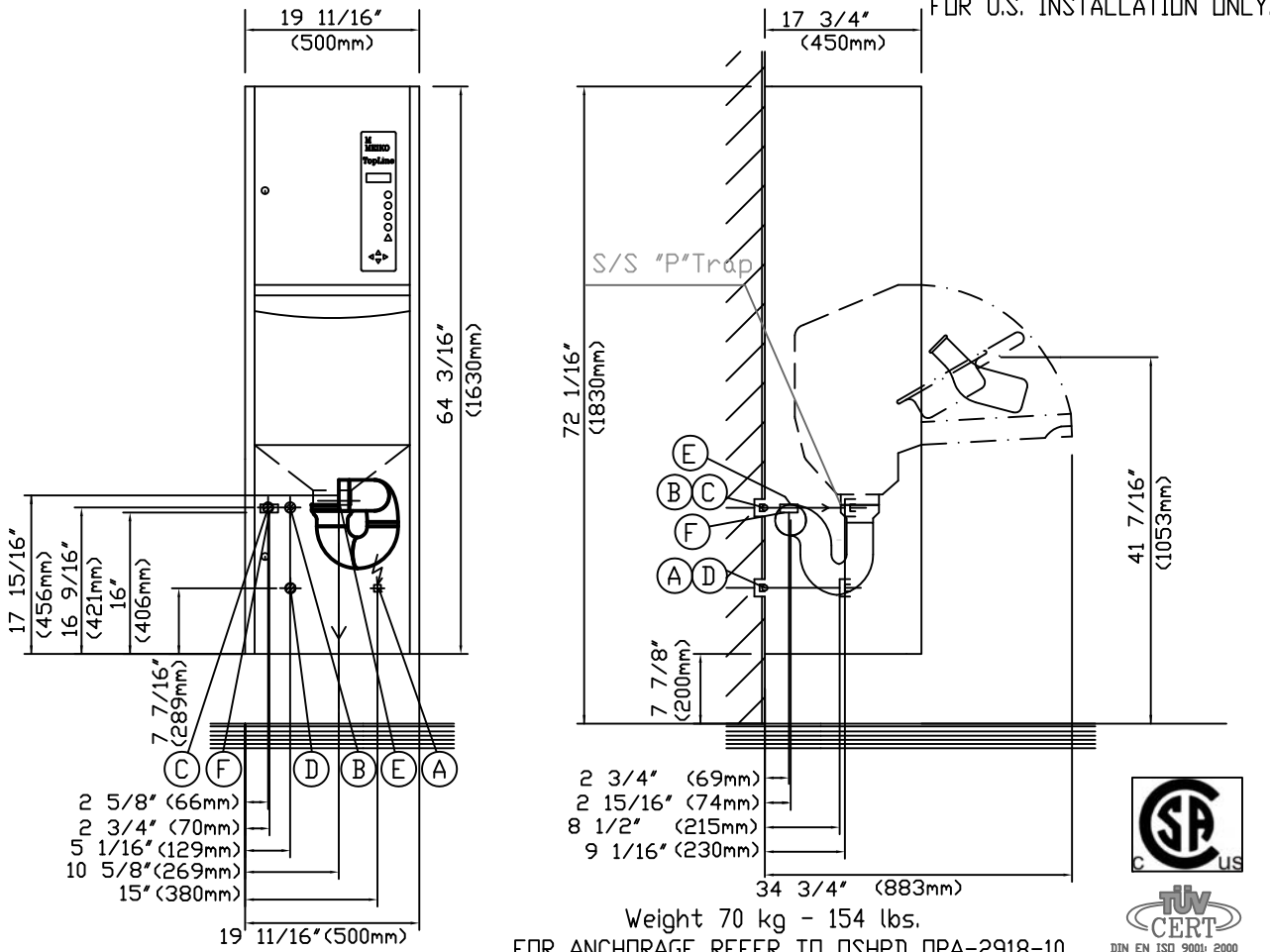


FOR U.S. INSTALLATION ONLY.



Weight 70 kg - 154 lbs.  
FOR ANCHORAGE REFER TO OSHPD OPA-2918-10

Sanitary installation		MEIKO	In the building
B	Cold Water	1/2" NPT "Y" Strainer	Inlet pipe 3/4". Stop-cocks, 41°-77°F Flow: flow pressure >4,76 Gal/Minute., >14,5 PSI
C	Hot water	1/2" NPT "Y" Strainer	Inlet pipe 3/4". Stop-cocks, 110°-140°F Flow: flow pressure >4,76 Gal/Minute., >14,5 PSI
D	Low pressure steam	R 1/2" NPT, Stop-cocks, "Y" Strainer	Od: max. 7.3 PSI with steam trap and return Steam lines must be cleaned of debris.
E	Waste Outlet TopLine20	3" "P" Trap	Waste Pipe 3" DFU 4
F	Vent TopLine20	2" Vent Connection	Local Area Vent 2" 12.4 CFM
Electrical installation			Wall socket and main fuse. Protection: 2x15A. Protective measures as well as connection of the equi-potential bonding must be carried out according to IEC 364-5-54 and conform to the local and national power utilities regulations.
A	1 PH ~ 208/230V, 60Hz, 0.8KW		
Protection class: Equipment Class 1, Pollution Degree 2, Installation Category II, Main switch,			

Connection dimensions are subject to tolerances.  
It is neither allowed to give this drawing without our permissions to a third party for information or reproduction,  
nor may it be used for competition purposes. All rights are reserved! Subject to technical changes.



MEIKO USA INC.  
1349 Heil Quaker Blvd. LaVergne TN 37086  
UNITED STATES OF AMERICA  
TEL. (615)399-6600; FAX: (615)399-6600

Alter.	Drawn	Checked
--------	-------	---------

Reference	Type	TOPLINE10 DT-NDD	
		Thermal disinfection, External Steam Supply	
	Proj. no.		
	Drawing no.		Index

Scale: 1:20    Drawn: db    Date: May.10.2011    Checked: db    Date: May.10.2011